

3K 3412 VIO



OSCILLATION



Compactor with vibration and oscillation

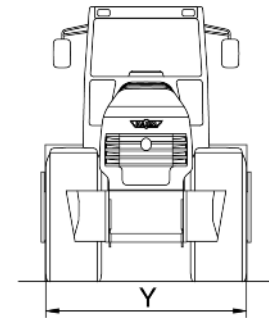
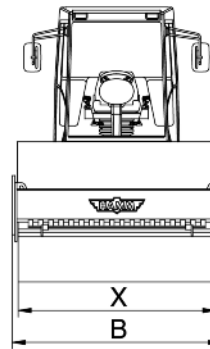
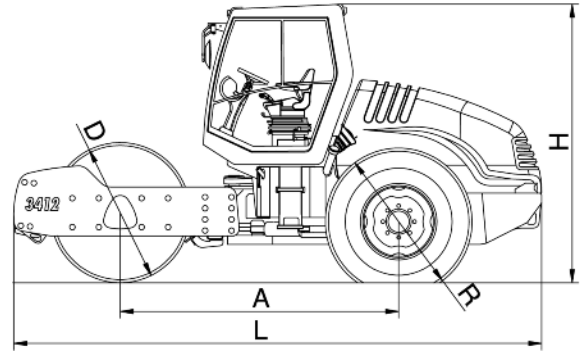
- ▶ Ergonomic driver's compartment with unobstructed visibility
- ▶ Simple, automotive style instrumentation
- ▶ Continuous hydrostatic drum and wheel drive
- ▶ High performance, turbo-charged diesel engine that meets all current EPA emission requirements
- ▶ High gradeability through no spin differential and traction control system
- ▶ Unique 3-point articulation joint
- ▶ Hydrostatic steering
- ▶ Easy maintenance and long service intervals

TECHNICAL DATA

3412 VIO

3412 VIO - Compactor with vibration and oscillation

Weights	
Operating weight with ROPS/FOPS	lbs (kg) 25,794 (11700)
Maximum weight	lbs (kg) 31,305 (14200)
Axle load, front/rear	lbs (kg) 14,121/11,673 (6405/5295)
Load per tire, rear	lbs (kg) 5,837 (2647,5)
Static linear load, front	lbs / in (kg/cm) 168 (29,9)
Machine Dimensions	
Max. working width	in (mm) 84 (2140)
Turning radius, inside	in (mm) 145 (3690)
Size of tires, rear	AW 23.1-26 12 PR
Diesel engine	
Manufacturer	DEUTZ
Model	TCD 2012 L04 2V
Number of cylinders	4
Power rat. DIN/ISO3046FN kW/HP/rpm	100,0/136,0/2300
Power rating SAE J1349, HP/kW/rpm	134,0/100,0/2300
Fuel tank, capacity	Gal (Ltr) 76.6 (290)
Drive	
Hydrostatic drive, front/rear	Hydraulic motor/axle
Speed, work range	mph (km/h) 0-4.0 (0-6,4)
Speed, transport range	mph (km/h) 0-7.4 (0-11,9)
Climbing ability, vibration on/off	% 56/61
Vibration/Oscillation system	
Hydrostatic drive	
Vibration	
Vibration frequency	vpm (Hz) 1,980 (33)
Amplitude	in (mm) .074 (1,89)
Centrifugal force	lbs (kN) 62,775 (279)
Oscillation	
Oscillation frequency	vpm (Hz) 1,980 (33)
Tangential amplitude	in (mm) .069(1,74)
Oscillation force	lbs (kN) 62,775 (279)
Steering	
Steering, type	Pivoted steering
Steering, actuation	hydrostatic, steering wheel
Steering angle +/-	Grad 35°
Oscillation angle +/-	Grad 10°
Brake system	
Service brake, mode of action	hydrostatic
Service brake, actuation	Drive lever
Parking brake, mode of action	Spring-loaded/multi-disc
Parking brake, actuation	Electric and/or automatic
Emergency brake, mode of action	hydr./mech.
Emergency brake, actuation	Emergency stop button
Standard equipment	
Suspended driving platform, access from either side. Sliding and swiveling operator's seat. 2 multifunctional drive levers. Traction control. Tilt steering wheel and instrument panel. Modern information and control display. Sound insulation. Tilttable GFK-engine hood. CE-conformity.	
Optional equipment	
Large capacity and comfortable ROPS cab with panoramic view, work lights, wipers front/rear, exterior and interior mirrors, heater with dust free ventilation. Air conditioning. Radio. Hamm Compaction meter. Documentation system CDS. Tachometer. Speedometer. Frequency meter. Special paint.	



Further data on request / subject to change

WIRTGEN AMERICA - HAMM COMPACTION DIVISION

6030 Dana Way • Antioch, TN 37013 • 615-501-0600 • 615-501-0691 Fax

www.wirtgenamerica.com

		3412 VIO
Total length	L	225" (5705)
Total width	B	89" (2250)
Total height	H	116" (2950)
Wheel base	A	119" (3015)
Drum width	X	84" (2140)
Drum diameter	D	59" (1504)
Width over tires	Y	84" (2140)
Diameter of tires	R	62" (1565)