

# HD+ 120 VV / VV HF



(Machine shown with optional equipment)



## Articulated tandem roller

- ▶ Ergonomic operator's compartment with access from either the left or right side
- ▶ A full 180° rotating operator's station with swiveling seat and tilt steering wheel
- ▶ Excellent visibility to the drum surfaces, drum edges and work areas
- ▶ 6.7" drum offset to either left or right side
- ▶ Hydrostatic dual drum drive, infinitely variable
- ▶ High performance, turbo-charged diesel engine that meets all current EPA emission requirements
- ▶ Dual pump water system with all spray nozzles clearly visible from the operator's seat
- ▶ Electronic engine management system and adjustable, automatic speed control

# HD+ 120 VV / VV HF



## TECHNICAL DATA

### HD+ 120 VV

### HD+ 120 VV HF

| Weights  |                  |                                 |                                 |
|--|------------------|---------------------------------|---------------------------------|
| Operating weight with ROPS/FOPS                                    | lbs (kg)         | 27,569 (12505)                  | 27,569 (12505)                  |
| Maximum weight   | lbs (kg)         | 32,187 (14600)                  | 32,187 (14600)                  |
| Axle load, front/rear  | lbs (kg)         | 13,922/13,647 (6315/6190)       | 13,922/13,647 (6315/6190)       |
| Static linear load, front/rear                                     | lbs / in (kg/cm) | 178/175 (31,9/31,3)             | 178/175 (31,9/31,3)             |
| Machine Dimensions   |                  |                                 |                                 |
| Drum width   | in (mm)          | 78 (1980)                       | 78 (1980)                       |
| Max. working width   | in (mm)          | 84.7 (2150)                     | 84.7 (2150)                     |
| Turning radius, inside   | in (mm)          | 208 (5285)                      | 208 (5285)                      |
| Diesel engine  |                  |                                 |                                 |
| Manufacturer   |                  | DEUTZ                           | DEUTZ                           |
| Model  |                  | TCD 2012 L04 2V                 | TCD 2012 L04 2V                 |
| Number of cylinders  |                  | 4                               | 4                               |
| Power rating DIN/ISO30461FN kW/HP/rpm                              |                  | 100,0/136.0/2300                | 100,0/136.0/2300                |
| Power rating SAE J1349, HP/kW/rpm                                  |                  | 134.0/100,0/2300                | 134.0/100,0/2300                |
| Fuel tank, capacity  | Gal (Ltr)        | 47.5 (180)                      | 47.5 (180)                      |
| Drive  |                  |                                 |                                 |
| Hydrostatic drive, front/rear                                      |                  | Hydraulic motor/hydraulic motor | Hydraulic motor/hydraulic motor |
| Speed, range   | mph (km/h)       | 0-7.5 (0-12,0)                  | 0-7.5 (0-12,0)                  |
| Climbing ability, vibration on/off                                 | %                | 30/35                           | 30/35                           |
| Vibration system   |                  |                                 |                                 |
| Hydrostatic drive, Double drum vibration, independently adjustable |                  |                                 |                                 |
| Vibration  |                  |                                 |                                 |
| Vibration frequency, front, low/high                               | vpm (Hz)         | 2,400/3,000 (40/50)             | 2,700/4,020 (45/67)             |
| Vibration frequency, rear, low/high                                | vpm (Hz)         | 2,400/3,000 (40/50)             | 2,700/4,020 (45/67)             |
| Amplitude, front, high/low   | in (mm)          | .035/.019 (0,89/0,49)           | .028/.011 (0,71/0,27)           |
| Amplitude, rear, high/low  | in (mm)          | .035/.019 (0,89/0,49)           | .028/.011 (0,71/0,27)           |
| Centrifugal force, front, high/low                                 | lbs (kN)         | 38,925/33,075 (173/147)         | 38,925/33,075 (173/147)         |
| Centrifugal force, rear, high/low                                  | lbs (kN)         | 38,925/33,075 (173/147)         | 38,925/33,075 (173/147)         |
| Steering   |                  |                                 |                                 |
| Steering, type   |                  | Pivoted steering                | Pivoted steering                |
| Steering, actuation  |                  | hydrostatic, steering wheel     | hydrostatic, steering wheel     |
| Steering angle +/-   | Grad             | 30°                             | 30°                             |
| Oscillation angle +/-  | Grad             | 10°                             | 10°                             |
| Brake system   |                  |                                 |                                 |
| Service brake, mode of action                                      |                  | hydrostatic                     | hydrostatic                     |
| Service brake, actuation   |                  | Drive lever                     | Drive lever                     |
| Parking brake, mode of action                                      |                  | Spring-loaded/multi-disc        | Spring-loaded/multi-disc        |
| Parking brake, actuation   |                  | Electric and/or automatic       | Electric and/or automatic       |
| Emergency brake, mode of action                                    |                  | hydr./mech.                     | hydr./mech.                     |
| Emergency brake, actuation   |                  | Emergency stop button           | Emergency stop button           |
| Sprinkler system   |                  |                                 |                                 |
| Water sprinkler, type  |                  | Pressure                        | Pressure                        |
| Actuation, sprinkling  |                  | interval/manual                 | interval/manual                 |
| Water tank, capacity   | Gal (Ltr)        | 306 (1160)                      | 306 (1160)                      |

## Standard equipment

Suspended operator's platform, swiveling and rotating operator's seat, 2 multifunctional levers, left and right at seat, indicators for: engine coolant temperature, working hours, fuel level, hydraulic oil temperature, water level in tanks, speedometer, vibration frequency of each drum, control lights and emergency stop button. 2 work lights, front and rear, turn signals, flashers and drum edge lights. Seat belt, back-up alarm and main battery switch. 6.7" hydraulic offset to either side. Independent amplitude and frequency adjustment for each drum. Adjustable, automatic speed control. Electronic engine management system. Tachometer. 2 mirrors, front mounted. CE-conformity.

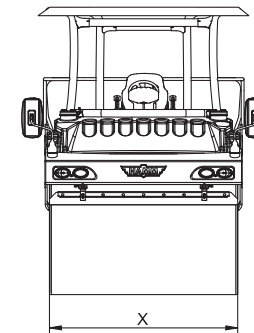
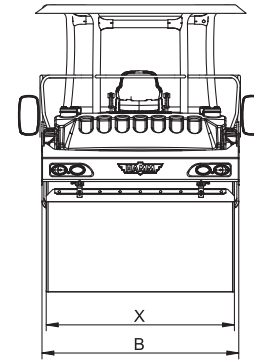
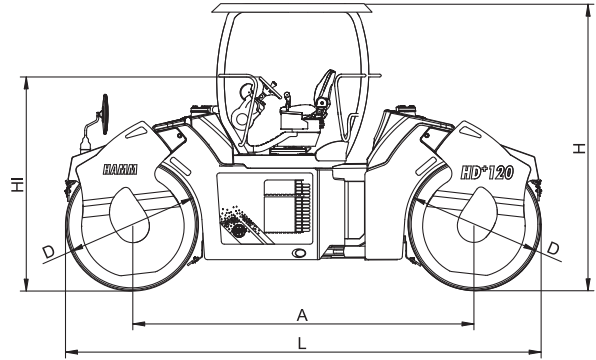
## Optional equipment

Panoramic ROPS cab with: heater, defroster, dust-free ventilation, interior lighting, front and rear wipers, front and rear work lights and interior mirror. Air conditioning. Radio. Edge pressing and cutting equipment. Special paint. Asphalt temperature gauge. ROPS/FOPS mounted night paving lights, 4 or 6, quartz halogen or Xenon. HCCQ-asphalt compaction meter.

Further data on request / subject to change

HD+ 120 VV - Articulated tandem roller

HD+ 120 VV HF - Articulated tandem roller with high frequency



|                   | HD+ 120 VV / VV HF |               |
|-------------------|--------------------|---------------|
| Total length      | L                  | 197" (5000)   |
| Total width       | B                  | 83" (2108)    |
| Total height      | H                  | 118.1" (3000) |
| Wheel base        | A                  | 141.7" (3600) |
| Drum width        | X                  | 78" (1980)    |
| Drum diameter     | D                  | 55.1" (1400)  |
| High loading min. | HI                 | 86" (2185)    |

## WIRTGEN AMERICA - HAMM COMPACTION DIVISION

6030 Dana Way • Antioch, TN 37013 • 615-501-0600 • 615-501-0691 Fax

www.wirtgenamerica.com