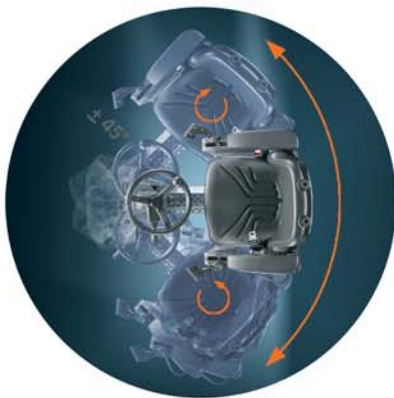


# HD 110 K



## Articulated combination roller

- ▶ Ergonomic operator's compartment with access from either the left or right side
- ▶ A full 180° rotating operator's station with swiveling seat and tilt steering wheel
- ▶ Excellent visibility to the drum surfaces, drum edges and work areas
- ▶ 3.9" drum offset to either left or right side
- ▶ Hydrostatic dual drum drive, infinitely variable
- ▶ High performance, turbo-charged diesel engine that meets all current EPA emission requirements
- ▶ Dual pump water system with all spray nozzles clearly visible from the operator's seat

## TECHNICAL DATA

## HD 110 K

## HD 110 K - Articulated combination roller

Weights		
Operating weight with ROPS/FOPS	lbs (kg)	19,753 (8960)
Maximum weight	lbs (kg)	26,455 (12000)
Axle load, front/rear	lbs (kg)	11,369/8,384 (5157/3803)
Static linear load, front	lbs / in (kg/cm)	172 (30,7)
Machine Dimensions		
Drum width	in (mm)	66.1 (1680)
Max. working width	in (mm)	68.9 (1750)
Turning radius, inside	in (mm)	156 (3961)
Size of tires, rear		11.00-20 12PR
Diesel engine		
Manufacturer		DEUTZ
Model		TCD 2012 L04 2V
Number of cylinders		4
Power rating DIN/ISO3046FN kW/HP/rpm		100,0/136,0/2300
Power rating SAE J1349, HP/kW/rpm		134,0/100,0/2300
Fuel tank, capacity	Gal (Ltr)	48.9 (185)
Drive		
Hydrostatic drive, front/rear		Hydraulic motor/hydraulic motor
Speed, work range	mph (km/h)	0-4.6 (0-7,4)
Speed, transport range	mph (km/h)	0-9.2 (0-14,8)
Climbing ability, vibration on/off	%	30/40
Vibration system		
Hydrostatic drive		
Vibration		
Vibration frequency, front, low/high	vpm (Hz)	2,520/3,000 (42/50)
Amplitude, front, high/low	in (mm)	.032/.019 (0,81/0,47)
Centrifugal force, front, high/low	lbs (kN)	26,325/21,825 (117/97)
Steering		
Steering, type		Pivoted steering
Steering, actuation		hydrostatic, steering wheel
Steering angle +/-	Grad	39°
Oscillation angle +/-	Grad	10°
Brake system		
Service brake, mode of action		hydrostatic
Service brake, actuation		Drive lever
Parking brake, mode of action		Spring-loaded/multi-disc
Parking brake, actuation		Electric and/or automatic
Emergency brake, mode of action		hydr./mech.
Emergency brake, actuation		Emergency stop button
Sprinkler system		
Water sprinkler, type		Pressure
Actuation, sprinkling		interval/manual
Water tank, capacity	Gal (Ltr)	238 (900)
Emulsion tank, capacity	Gal (Ltr)	5.8 (22)

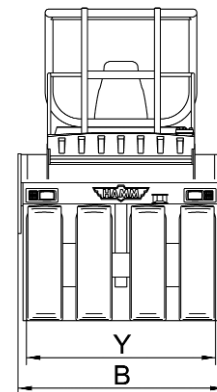
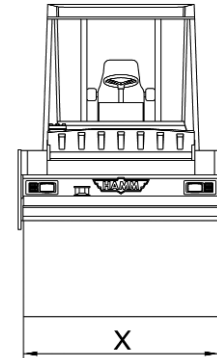
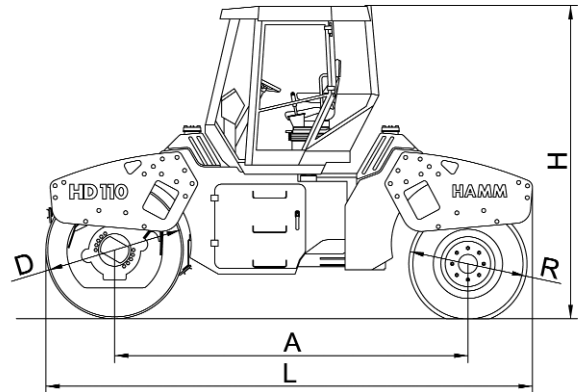
### Standard equipment

Suspended operator's platform, swiveling and rotating operator's seat, 2 multifunctional levers, left and right at seat, indicators for: engine temperature, working hours, fuel level, control lights and emergency stop button, 2 work lights front and rear, main battery switch. Indicators for: hydraulic oil temperature, water level in tanks. CE-conformity.

### Optional equipment

Panoramic ROPS cab with: heater, dust-free ventilation, sun shade, interior lighting, front and rear wipers, interior mirror, beacon, lights according to German Road Regulation and seat belt. Radio. Tachometer. Air conditioning. Edge pressing and cutting equipment. Special paint. Asphalt temperature gauge. Night paving light kit.

Further data on request / subject to change



		HD 110 K
Total length	L	181" (4600)
Total width	B	71.3" (1810)
Total height	H	117.7" (2990)
Wheel base	A	134" (3400)
Drum width	X	66.1" (1680)
Drum diameter	D	48" (1200)
Width of tires	Y	63.8" (1620)
Diameter of tires	R	40.5" (1030)