

# HD 12 VV



## Articulated tandem roller

- ▶ Hydrostatic dual drum drive
- ▶ Automatic/manual vibration system
- ▶ Hydrostatic articulated steering
- ▶ Excellent maneuverability
- ▶ Low sound level
- ▶ 3 braking systems with Emergency Stop button
- ▶ Plastic water tank, pressurized water system, hand serviceable, plastic spray nozzles
- ▶ 2" (50mm) offset capability

## TECHNICAL DATA

## HD 12 VV

## HD 12 VV - Articulated tandem roller

### Weights

Operating weight with ROPS	lbs (kg)	5,964 (2705)
Maximum weight	lbs (kg)	6,614 (3000)
Axle load, front/rear	lbs (kg)	2,954/3,010 (1340/1365)
Static linear load, front/rear	lbs / in (kg/cm)	62.6/63.8 (11,2/11,4)

### Machine Dimensions

Drum width	in (mm)	47.2 (1200)
Max. working width	in (mm)	49.2 (1250)
Turning radius, inside	in (mm)	93.3 (2370)

### Diesel engine

Manufacturer	KUBOTA	
Model	D1503-M-E3B	
Number of cylinders	3	
Power rating DIN/ISO30461FN kW/HP/rpm	22,9/31.1/2700	
Power rating SAE J1349, HP/kW/rpm	30.7/22,9/2700	
Fuel tank, capacity	Gal (Ltr)	11 (42)

### Drive

Hydrostatic drive, front/rear	Hydraulic motor/hydraulic motor	
Speed, infinitely variable	mph (km/h)	0-6.8 (0-11,0)
Climbing ability, vibration on/off	%	30/40

### Vibration system

Hydrostatic drive. Front and back vibration / one double switch, automatic vibration switch-off at overspeed. Manual or automatic vibration control

### Vibration

Vibration frequency, front	vpm (Hz)	3,120/4,020 (52/67)
Vibration frequency, rear	vpm (Hz)	3,120/4,020 (52/67)
Amplitude, front	in (mm)	.020/.020 (0,52/0,52)
Amplitude, rear	in (mm)	.020/.020 (0,52/0,52)
Centrifugal force, front	lbs (kN)	7,200/11,700 (32/52)
Centrifugal force, rear	lbs (kN)	7,200/11,700 (32/52)

### Steering

Steering, type	Pivoted steering	
Steering, actuation	hydrostatic, steering wheel	
Steering angle +/-	Grad	32°
Oscillation angle +/-	Grad	8°

### Brake system

Service brake, mode of action	hydrostatic
Service brake, actuation	Drive lever
Parking brake, mode of action	Spring-loaded/multi-disc
Parking brake, actuation	Electric and/or automatic
Emergency brake, mode of action	hydr./mech.
Emergency brake, actuation	Emergency stop button

### Sprinkler system

Water sprinkler, type	Pressure	
Actuation, sprinkling	interval/manual	
Water tank, capacity	Gal (Ltr)	48 (180)

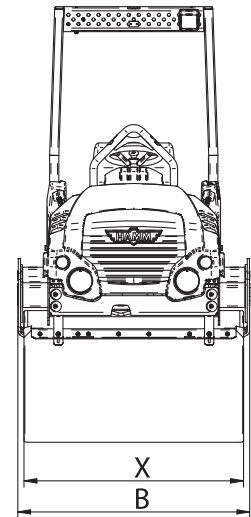
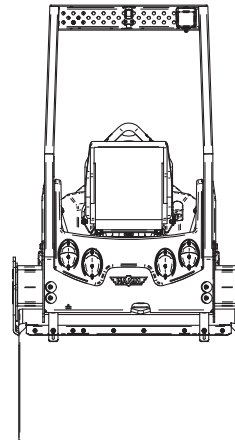
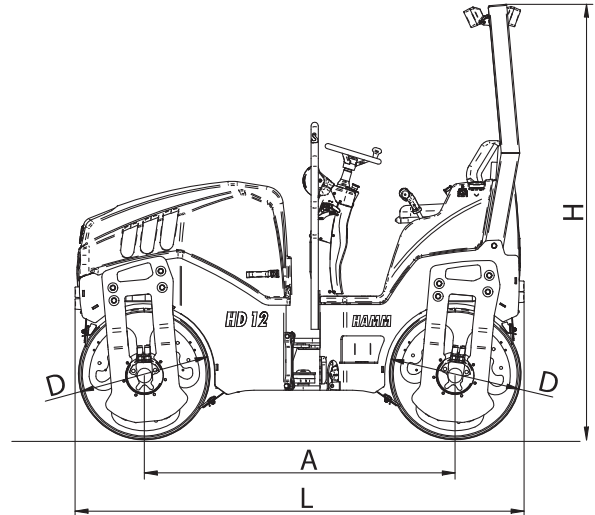
### Standard equipment

2" offset capability, comfort seat, multifunctional control lever, hourmeter, pilot lamps and emergency stop button. ROPS, seat belt, back up alarm. Lighting according to German Road Regulation. CE-conformity.

### Optional equipment

ROPS mounted, front and rear work lights. Rotating beacon. Special paint.

Further data on request / subject to change



		HD 12 VV
Total length	L	96.8" (2460)
Total width	B	51.6" (1310)
Total height	H	94" (2390)
Wheel base	A	67" (1700)
Drum width	X	47.2" (1200)
Drum diameter	D	28.3" (720)