

HD 13 VT / HD 14 VT



Articulated combination roller

- ▶ Hydrostatic drum and rear wheel drive
- ▶ Automatic/manual vibration system
- ▶ Hydrostatic articulated steering
- ▶ Excellent maneuverability
- ▶ Low sound level
- ▶ 3 braking systems with Emergency Stop button
- ▶ Plastic water tank, pressurized water system, hand serviceable, plastic spray nozzles for front drum
- ▶ Separate emulsion tank and spray system for rear tires
- ▶ 2" (50mm) offset capability

HD 13 VT / HD 14 VT



TECHNICAL DATA

HD 13 VT

HD 14 VT

Weights

Operating weight with ROPS	lbs (kg)	8,422 (3820)	8,785 (3985)
Maximum weight	lbs (kg)	9,480 (4300)	10,362 (4700)
Axle load, front/rear	lbs (kg)	4,432/3,990 (2010/1810)	4,795/3,990 (2175/1810)
Load per tire, rear	lbs (kg)	998 (452.5)	998 (452.5)
Static linear load, front	lbs / in (kg/cm)	86.5 (15.5)	88.3 (15.8)

Machine Dimensions

Drum width	in (mm)	51.2 (1300)	54.3 (1380)
Max. working width	in (mm)	52.8 (1340)	54.3 (1380)
Turning radius, inside	in (mm)	105.9 (2690)	104.3 (2650)
Size of tires, rear		10.5/80-16	10.5/80-16

Diesel engine

Manufacturer		KUBOTA	KUBOTA
Model		V2203-M-E3B	V2203-M-E3B
Number of cylinders		4	4
Power rating DIN/ISO30461FN kW/HP/rpm		34,6/47.1/2700	34,6/47.1/2700
Power rating SAE J1349, HP/kW/rpm		46.4/34,6/2700	46.4/34,6/2700
Fuel tank, capacity	Gal (Ltr)	19.3 (73)	19.3 (73)

Drive

Hydrostatic drive, front/rear		Hydraulic motor/hydraulic motor	Hydraulic motor/hydraulic motor
Speed, infinitely variable	mph (km/h)	0-6.8 (0-11,0)	0-6.8 (0-11,0)
Climbing ability, vibration on/off	%	30/40	30/40

Vibration system

Hydrostatic drive. Front vibration / one switch, automatic vibration switch-off at overspeed. Manual or automatic vibration control

Vibration

Vibration frequency, front	vpm (Hz)	3,060/3,600 (51/60)	3,060/3,600 (51/60)
Amplitude, front	in (mm)	.020/.012 (0,51/0,31)	.020/.012 (0,51/0,31)
Centrifugal force, front	lbs (kN)	14,400/8,775 (64/39)	14,400/8,775 (64/39)

Steering

Steering, type		Pivoted steering	Pivoted steering
Steering, actuation		hydrostatic, steering wheel	hydrostatic, steering wheel
Steering angle +/-	Grad	33°	33°
Oscillation angle +/-	Grad	8°	8°

Brake system

Service brake, mode of action		hydrostatic	hydrostatic
Service brake, actuation		Drive lever	Drive lever
Parking brake, mode of action		Spring-loaded/multi-disc	Spring-loaded/multi-disc
Parking brake, actuation		Electric and/or automatic	Electric and/or automatic
Emergency brake, mode of action		hydr./mech.	hydr./mech.
Emergency brake, actuation		Emergency stop button	Emergency stop button

Sprinkler system

Water sprinkler, type		Pressure	Pressure
Actuation, sprinkling		interval/manual	interval/manual
Water tank, capacity	Gal (Ltr)	76.6 (290)	76.6 (290)
Additive sprinkling, type		Pressure	Pressure
Actuation, additive sprinkling		Push button	Push button
Additive tank, capacity	Gal (Ltr)	4.8 (18)	4.8 (18)

Standard equipment

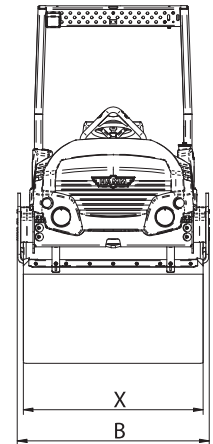
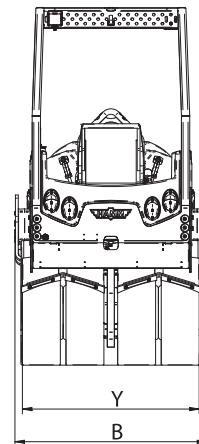
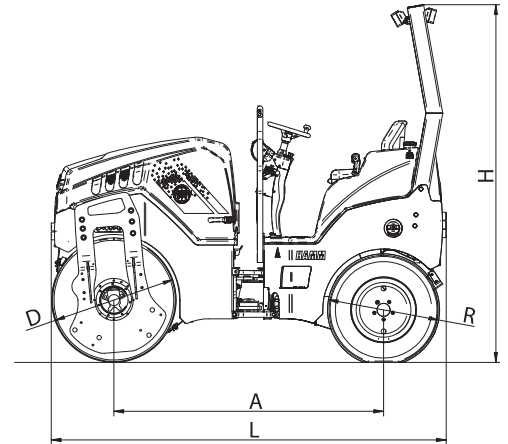
2" offset capability, comfort seat, multifunctional control lever, hourmeter, pilot lamps and emergency stop button. ROPS, seat belt, back up alarm. Lighting according to German Road Regulation. CE-conformity.

Optional equipment

ROPS mounted, front and rear work lights. Rotating beacon. Special paint.

Further data on request / subject to change

HD 13 VT - Articulated combination roller
HD 14 VT - Articulated combination roller



		HD 13 VT	HD 14 VT
Total length	L	112.6" (2860)	112.6" (2860)
Total width	B	56.1" (1426)	59.3" (1506)
Total height	H	102" (2590)	102" (2590)
Wheel base	A	76.8" (1950)	76.8" (1950)
Drum width	X	51.2" (1300)	54.3" (1380)
Drum diameter	D	35.4" (900)	35.4" (900)
Width over tires	Y	50.2 (1276)	50.2 (1276)
Diameter of tires	R	31.9 (810)	31.9 (810)

WIRTGEN AMERICA - HAMM COMPACTION DIVISION

6030 Dana Way • Antioch, TN 37013 • 615-501-0600 • 615-501-0691 Fax

www.wirtgenamerica.com