

HD 8 vv



Articulated tandem roller

- ▶ Hydrostatic dual drum drive
- ▶ Automatic/manual vibration system
- ▶ Hydrostatic articulated steering
- ▶ Excellent maneuverability
- ▶ Low sound level
- ▶ 3 braking systems with Emergency Stop button
- ▶ Plastic water tank, pressurized water system, hand serviceable, plastic spray nozzles
- ▶ Fixed, 2.2" (56mm), offset

TECHNICAL DATA

HD 8 VV

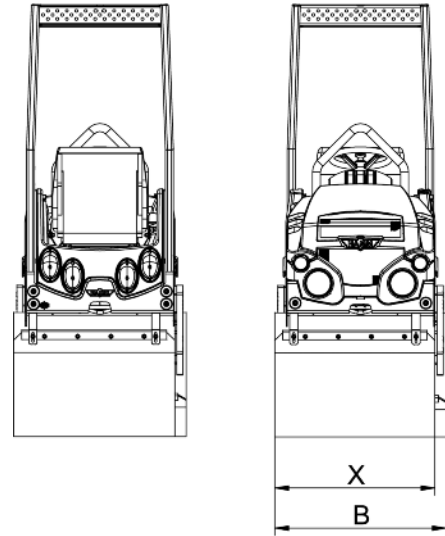
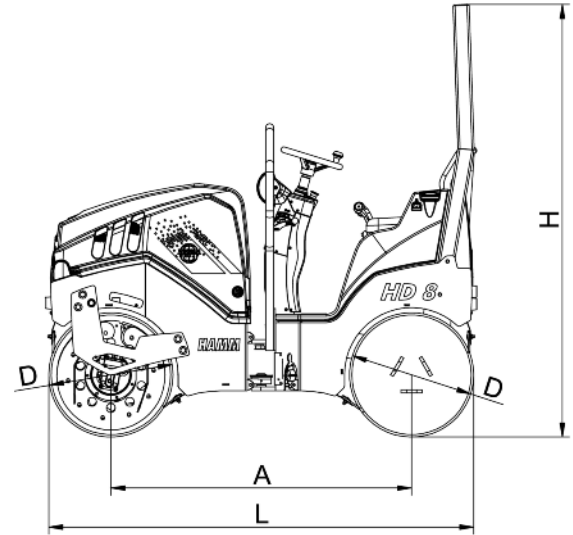
HD 8 VV - Articulated tandem roller

Weights			
Operating weight with ROPS	lbs (kg)	3,373 (1530)	
Maximum weight	lbs (kg)	3,968 (1800)	
Axle load, front/rear	lbs (kg)	1,631/1,742 (740/790)	
Static linear load, front/rear	lbs / in (kg/cm)	51.8/55.3 (9,3/9,9)	
Machine Dimensions			
Max. working width	in (mm)	33.7 (856)	
Turning radius, inside	in (mm)	87.8 (2230)	
Diesel engine			
Manufacturer		KUBOTA	
Model		D1005-E3B	
Number of cylinders		3	
Power rating DIN/ISO30461FN kW/HP/rpm		14,8/20.1/2700	
Power rating SAE J1349, HP/kW/rpm		20.0/14,8/2700	
Fuel tank, capacity	Gal (Ltr)	8.7 (33)	
Drive			
Hydrostatic drive, front/rear		Hydraulic motor/hydraulic motor	
Speed, infinitely variable	mph (km/h)	0-6.8 (0-11,0)	
Climbing ability, vibration on/off	%	30/40	
Vibration system			
Hydrostatic drive. Front and back vibration / one double switch, automatic vibration switch-off at overspeed.			
Manual or automatic vibration control			
Vibration			
Vibration frequency, front	vpm (Hz)	3,120/3,900 (52/65)	
Vibration frequency, rear	vpm (Hz)	3,120/3,900 (52/65)	
Amplitude, front	in (mm)	.020/.020 (0,50/0,50)	
Amplitude, rear	in (mm)	.020/.020 (0,50/0,50)	
Centrifugal force, front	lbs (kN)	3,600/5,625 (16/25)	
Centrifugal force, rear	lbs (kN)	3,600/5,625 (16/25)	
Steering			
Steering, type		Pivoted steering	
Steering, actuation		hydrostatic, steering wheel	
Steering angle +/-	Grad	33°	
Oscillation angle +/-	Grad	8°	
Brake system			
Service brake, mode of action		hydrostatic	
Service brake, actuation		Drive lever	
Parking brake, mode of action		Spring-loaded/multi-disc	
Parking brake, actuation		Electric and/or automatic	
Emergency brake, mode of action		hydr./mech.	
Emergency brake, actuation		Emergency stop button	
Sprinkler system			
Water sprinkler, type		Pressure	
Actuation, sprinkling		interval/manual	
Water tank, capacity	Gal (Ltr)	20 (75)	

Standard equipment
 Comfort seat, multifunctional control lever, hourmeter, pilot lamps and emergency stop button. ROPS, seat belt, back up alarm. Lighting according to German Road Regulation. CE-conformity.

Optional equipment
 ROPS mounted, front and rear work lights. Rotating beacon. Special paint.

Further data on request / subject to change



		HD 8 VV
Total length	L	88.9" (2260)
Total width	B	33.7" (856)
Total height	H	87" (2210)
Wheel base	A	61.4" (1560)
Drum width	X	31.5" (800)
Drum diameter	D	24.4" (620)