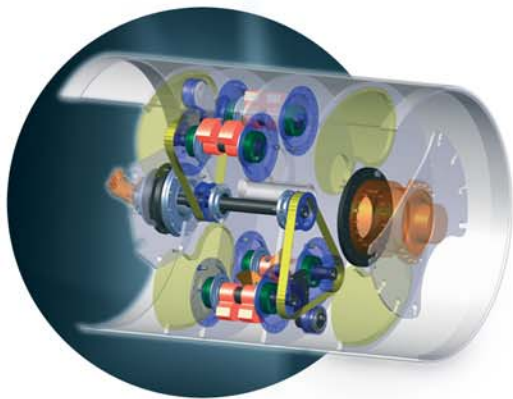


HD 0130V



O S C I L A T I O N



Tandem roller with oscillation and vibration

- ▶ Ergonomic operator's compartment with access from either the left or right side
- ▶ A full 180° rotating operator's station with swiveling seat and tilt steering wheel
- ▶ Excellent visibility to the drum surfaces, drum edges and work areas
- ▶ 3.9" drum offset to either left or right side
- ▶ Individually controllable oscillating drum and vibrating drum in a single machine
- ▶ Hydrostatic dual drum drive, infinitely variable
- ▶ High performance, turbo-charged diesel engine that meets all current EPA emission requirements
- ▶ Dual pump water system with all spray nozzles clearly visible from the operator's seat

TECHNICAL DATA

HD O130V

Weights

Operating weight	lbs (kg)	29,277 (13280)
Maximum weight	lbs (kg)	32,848 (14900)
Axle load, front/rear	lbs (kg)	15,370/13,907 (6972/6308)
Static linear load, front/rear	lbs / in (kg/cm)	182.3/165.0 (32,6/29,5)

Machine Dimensions

Drum width	in (mm)	84.3 (2140)
Max. working width	in (mm)	88.2 (2240)
Turning radius, inside	in (mm)	205 (5210)

Diesel engine

Manufacturer	DEUTZ	
Model	TCD 2012 L04 2V	
Number of cylinders	4	
Power rating DIN/ISO30461FN kW/HP/rpm	100,0/136.0/2300	
Power rating SAE J1349, HP/kW/rpm	134.0/100,0/2300	
Fuel tank, capacity	Gal (Ltr)	48,9 (185)

Drive

Hydrostatic drive, front/rear	Hydraulic motor/hydraulic motor	
Speed, work range	mph (km/h)	0-3.9 (0-6,2)
Speed, transport range	mph (km/h)	0-7.5 (0-12,0)
Climbing ability, vibration on/off	%	30/35

Vibration system

Hydrostatic drive. Oscillators and/or vibrator separately switchable. Engine independent automatic frequency control with digital display. Oscillation and vibration manually and automatically switchable.

Vibration

Vibration frequency, front, low/high	vpm (Hz)	2,520/3,000 (42/50)
Amplitude, front, high/low	in (mm)	.032/.016 (0,81/0,41)
Centrifugal force, front, high/low	lbs (kN)	43,650/31,275 (194/139)

Oscillation

Oscillation frequency, rear, low/high	vpm (Hz)	2,160/2,520 (36/42)
Tangential amplitude, rear, high/low	in (mm)	.054/.054 (1,37/1,37)
Oscillation force, rear, low/high	lbs (kN)	46,125/62,775 (205/279)

Steering

Steering, type	Pivoted steering	
Steering, actuation	hydrostatic, steering wheel	
Steering lock +/-	Grad	32°
Oscillation angle +/-	Grad	10°

Brake system

Service brake, mode of action	hydrostatic
Service brake, actuation	Drive lever
Parking brake, mode of action	Spring-loaded/multi-disc
Parking brake, actuation	Electric and/or automatic
Emergency brake, mode of action	hydr./mech.
Emergency brake, actuation	Emergency stop button

Sprinkler system

Water sprinkler, type	Pressure	
Actuation, sprinkling	interval/manual	
Water tank, capacity	Gal (Ltr)	238 (900)

Standard equipment

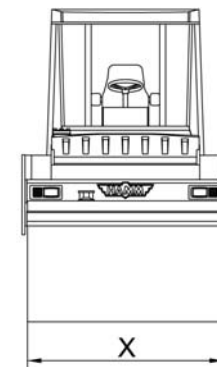
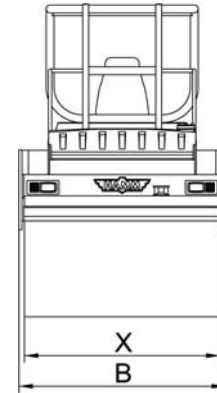
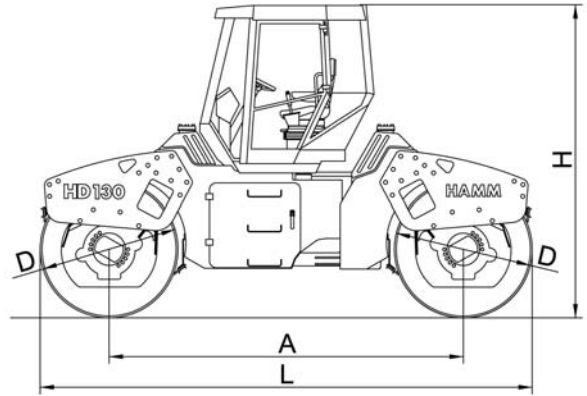
Suspended operator's platform, swiveling and rotating operator's seat, 2 multifunctional levers, left and right at seat. Indicators for: engine temperature, working hours, fuel level, control lights and emergency stop button. 2 work lights front and rear, main battery switch. Indicators for: hydraulic oil temperature, water level in tanks. CE-conformity.

Optional equipment

Panoramic ROPS cab with: heater, dust-free ventilation, sun shade, interior lighting, front and rear wipers, interior mirror, beacon, lights according to German Road Regulation and seat belt. Radio. Tachometer. Air conditioning. Edge pressing and cutting equipment. Special paint. Asphalt temperature gauge. Night paving light kit.

Further data on request / subject to change

HD O130V - Tandem roller with oscillation and vibration



		HD O130V
Total length	L	197" (5000)
Total width	B	88.6" (2250)
Total height	H	126.8" (3220)
Wheel base	A	142" (3600)
Drum width	X	84.3" (2140)
Drum diameter	D	55" (1400)