

3K Strike-off Blade



Strike-off Blade

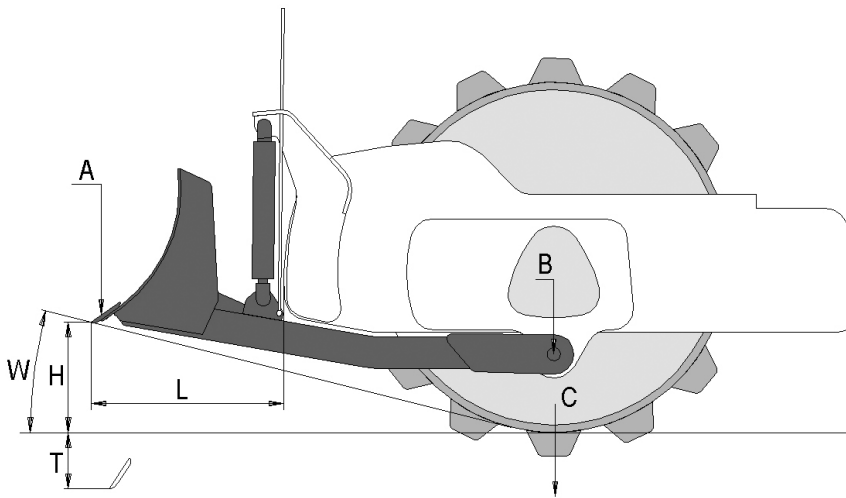
- ▶ Suitable for landfill, trench and light-duty earth moving
- ▶ Raise, lower and float controls located on the drive lever
- ▶ Replaceable cutting edge

STRIKE-OFF BLADE



A practical and useful attachment for all vibratory padfoot

- Heavy-duty design with replaceable cutting edge
- Activation by multifunction handle located on the drive lever
- All vibratory padfoot compactors are designed for blade operation and can be used in different types of materials and soils
- Suitable for landfill, trench and light-duty earth moving
- No crawler necessary for minor fill work
- Particularly suitable for levelling work



A = Working width of blade
 B = Total width of machine
 C = Weight of roller without blade
 D = Weight of blade
 E = Weight of roller with blade

Model	W	H	T	L	A	B	C	D	E
3205 P	13.5°	11.2" (285 mm)	5" (130 mm)	19.7" (500 mm)	62" (1575 mm)	58.3" (1480 mm)	12,335 lbs (5595 kg)	740 lbs (335 kg)	13,075 lbs (5930 kg)
3307 P	13.0°	12.3" (313 mm)	6" (150 mm)	21.6" (550 mm)	74" (1880 mm)	70.5" (1790 mm)	14,594 lbs (6620 kg)	860 lbs (390 kg)	15,454 lbs (7010 kg)
3412 P	14.0°	18.3" (465 mm)	7.5" (190 mm)	32.3" (820 mm)	96.5" (2450 mm)	88.6" (2250 mm)	26,631 lbs (12080 kg)	2,734 lbs (1240 kg)	29,365 lbs (13320 kg)
3520 P	13.5°	21.3" (540 mm)	6.9" (175 mm)	33" (840 mm)	101.6" (2580 mm)	94" (2390 mm)	43,607 lbs (19780 kg)	2,756 lbs (1250 kg)	46,363 lbs (21030 kg)