

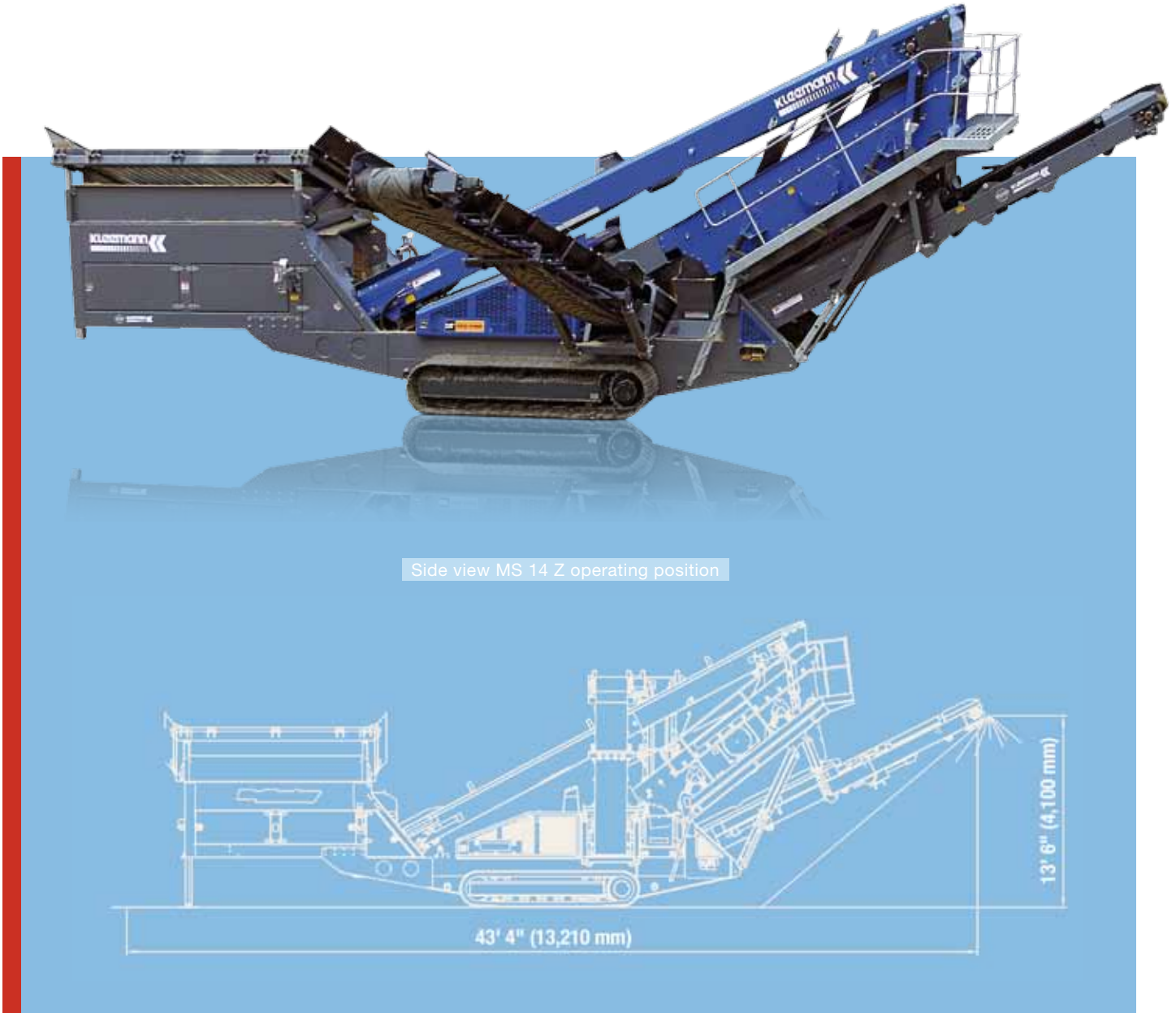


CONTRACTOR LINE

# MOBISCREEN MS 14 Z

TECHNICAL SPECIFICATIONS

■ TRACK-MOUNTED SCREENING PLANT



Side view MS 14 Z operating position

TECHNICAL SPECIFICATIONS MS 14 Z

Feeding hopper	
Feed capacity up to approx.	200 t/h
Feed size max.	6" x 6" (150 x 150 mm)
Feed height	-
Hopper capacity	7.9 yd <sup>3</sup> (6 m <sup>3</sup> )
Variable speed feed conveyor	
Width x length	3' x 10' 6" (900 x 3,200 mm)
Discharge height approx.	-
Feeding belt conveyor screen	
Width x length	3' x 26' (900 x 7,900 mm)
Discharge height approx.	-
Screening unit	
Type	double-deck vibration screen
Width x length	4' 6" x 10' (1,370 x 3,050 mm)
Bottom deck underflow discharge conveyor	
Width x length	3' 5" x 16' (1,050 x 4,900 mm)
Discharge height approx.	12' 6" (3,800 mm)

Bottom deck overflow discharge conveyor	
Width x length	2' 2" x 29' 10" (650 x 9,100 mm)
Discharge height approx.	13' 6" (4,100 mm)
Top deck overflow discharge conveyor	
Width x length	2' 2" x 29' 10" (650 x 9,100 mm)
Discharge height approx.	13' 6" (4,100 mm)
Crawler chassis	
Type	D2
Diesel-hydraulic drive	
Engine power	85 hp (63 kW)
Transport	
Transport height approx.	10' 6" (3,200 mm)
Transport length approx.	43' 4" (13,210 mm)
Transport width approx.	8' 3" (2,500 mm)
Transport weight approx.	42,900 lbs (19,500 kg)

© Klemmann M10024919\_A Subject to alteration without prior notice