



CONTRACTOR LINE

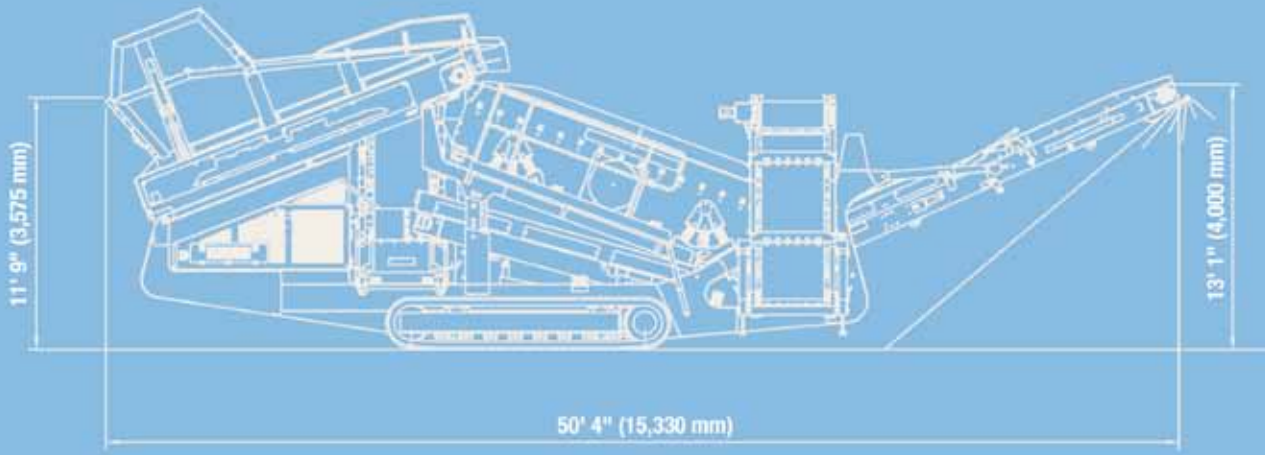
MOBISCREEN MS 15 Z

TECHNICAL SPECIFICATIONS

■ TRACK-MOUNTED SCREENING PLANT



Side view MS 15 Z operating position



TECHNICAL SPECIFICATION MS 15 Z-AD

Feeding hopper	
Feed capacity up to approx.	400 t/h
Feed size max.	10" x 10" (250 x 250 mm)
Feed height	11' 9" (3,575 mm)
Hopper capacity	10.5 yd ³ (8 m ³)
Variable speed feed conveyor	
Width x length	4' 7" x 14' 9" (1,400 x 4,500 mm)
Discharge height approx.	-
Screening unit	
Type	double-deck vibration screen
Width x length	5' x 16' (1,520 x 4,880 mm)
Belt conveyor underflow material	
Width x length	4' x 14' 9" (1,200 x 4,500 mm)
Discharge height approx.	-
Bottom deck underflow discharge conveyor	
Width x length	3' x 25' (900 x 7,600 mm)
Discharge height approx.	11' 6" - 13' 2" (3,500 - 4,000 mm)

Bottom deck overflow discharge conveyor	
Width x length	3' x 25' (900 x 7,600 mm)
Discharge height approx.	8' 3" - 11' 10" (2,500 - 3,600 mm)
Top deck overflow discharge conveyor	
Width x length	4' 7" x 18' (1,400 x 5,500 mm)
Discharge height approx.	9' 2" - 12' 6" (2,800 - 3,800 mm)
Crawler chassis	
Type	D3
Diesel-hydraulic drive	
Engine power	125 hp (93 kW)
Transport	
Transport height approx.	11' 2" (3,400 mm)
Transport length approx.	50' 4" (15,330 mm)
Transport width approx.	9' 6" (2,900 mm)
Transport weight approx.	74,900 lbs (34,000 kg)

© Kleemann M10024897_A Subject to alteration without prior notice