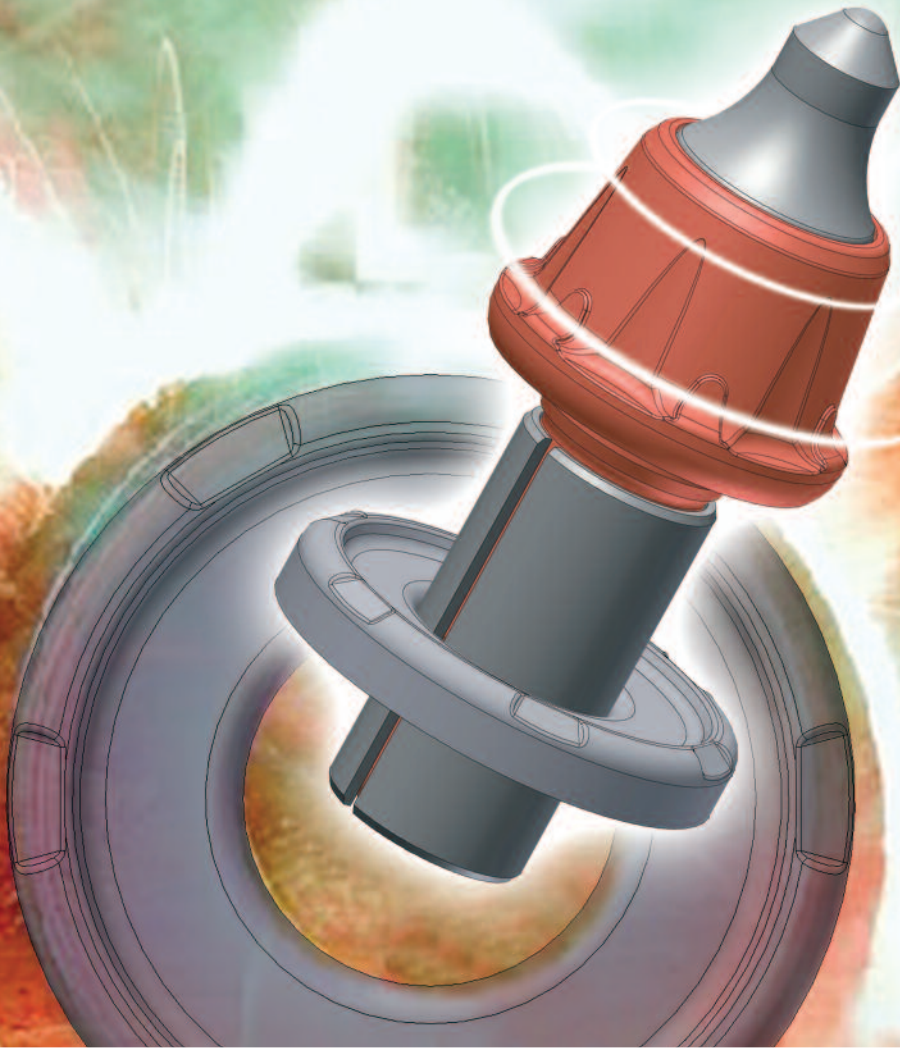


# RHINO SHIELD

THE ULTIMATE PROTECTION  
AGAINST ABRASIVE WEAR



Close to  
our customers



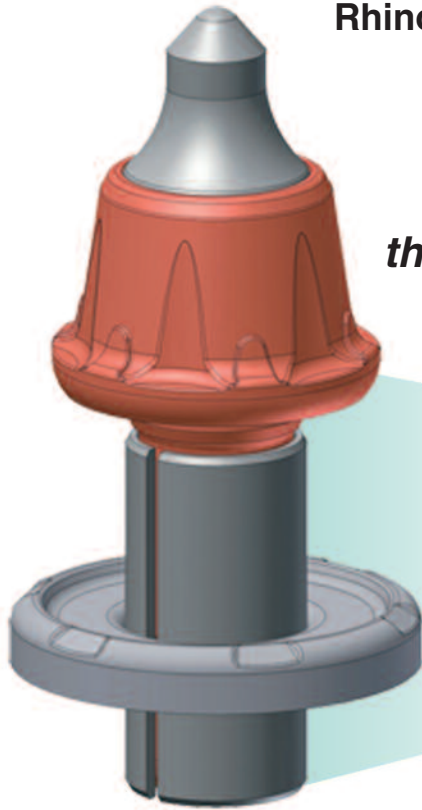
ROAD AND MINERAL TECHNOLOGIES

[www.wirtgenamerica.com](http://www.wirtgenamerica.com)

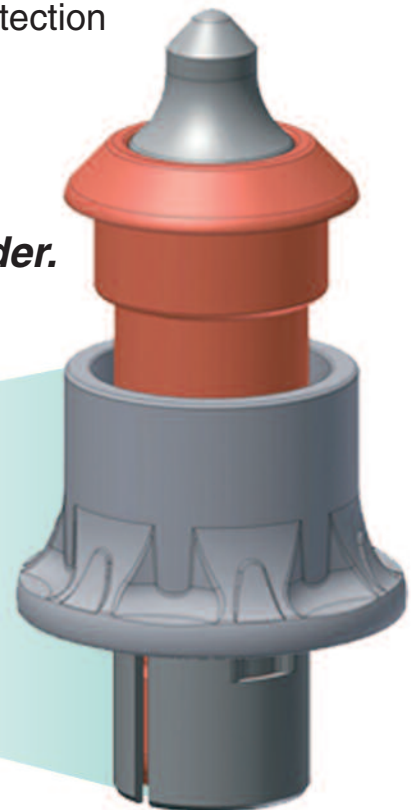
# THE NEW RHINO SHIELD IMPLEMENTS THE LATEST ROTATION TECHNOLOGY

Rhino Parts introduced the “Rhino Ring” cutter bit washer technology to North America in 1998. Wirtgen pioneered this technology over 20 years ago to maximize bit rotation and prolong both bit life and holder life. Wirtgen remains the innovator in cutter bit technology with another leap forward — **Rhino Shield** provides the ultimate protection against abrasive wear.

*Preserving the holder maximizes bit rotation throughout the life of the holder.*

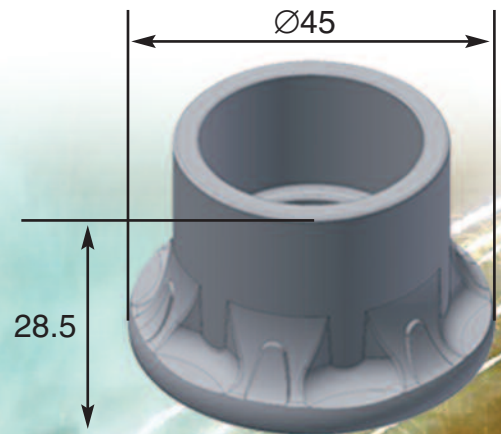
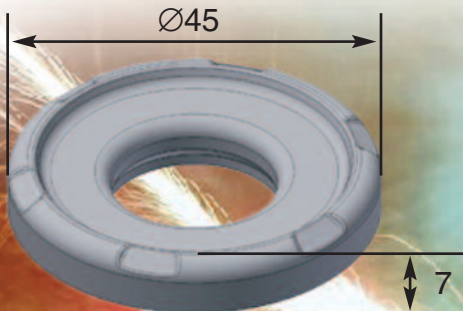


“LL” Series



“XR” Series

Rhino Shield washers combine with the extended, twin-stop, “Rotation Series” spring clip to form a complete wear barrier between the rotating bit and the stationary holder.



## History of cutter bit washer innovation

